

METS™ P-115

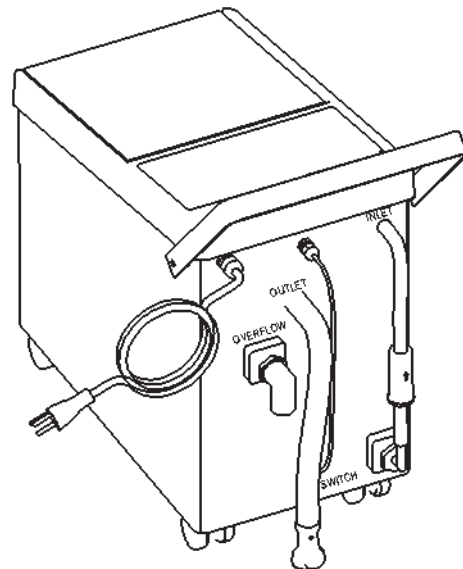
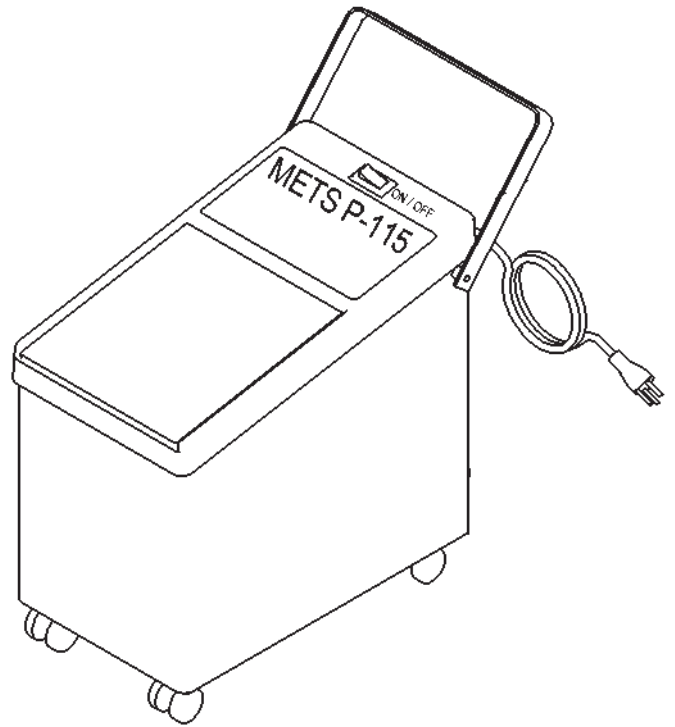
Low Profile Portable METS Unit

Transferring silver bearing processing solutions is safe and easy with CPAC's low profile portable METS unit. The unique design of the METS P-115 allows you to roll the station beneath the outlet of your processor and fill it with spent photographic solution. The METS (Mini Environmental Treatment System) unit will roll, with ease, to a Big MO or RePAC cartridge for desilvering.

The compact size and easy-roll casters make the METS P-115 ideal for small on-site processing labs. Transporting spent photographic solution can be a difficult and messy job. The METS P-115 will transport up to five gallons of solution, weighing approximately 46 pounds, with no heavy lifting and no spills.

Features & Benefits

- Eliminates heavy lifting for liquid transport
- Automatic pump shut-off
- Low profile for draining liquid into tank
- Compact size
- 5 gallon capacity
- Easy-roll casters
- Quick disconnect fittings
- Adjustable metering pump (0-125 mls/min)



Back View

Product Information

When connected to a Big MO or RePAC cartridge, the METS P-115 provides automatic, reliable silver recovery. Additionally, the quick disconnect fittings eliminate spills.

Specifications

Dimensions*:	10"W x 20"L x 12"H (front)
* without handle	10"W x 20"L x 17"H (back)
Electrical:	115 VAC, 300 VA, 50/60 Hz
Weight:	22 lbs (10Kg)

